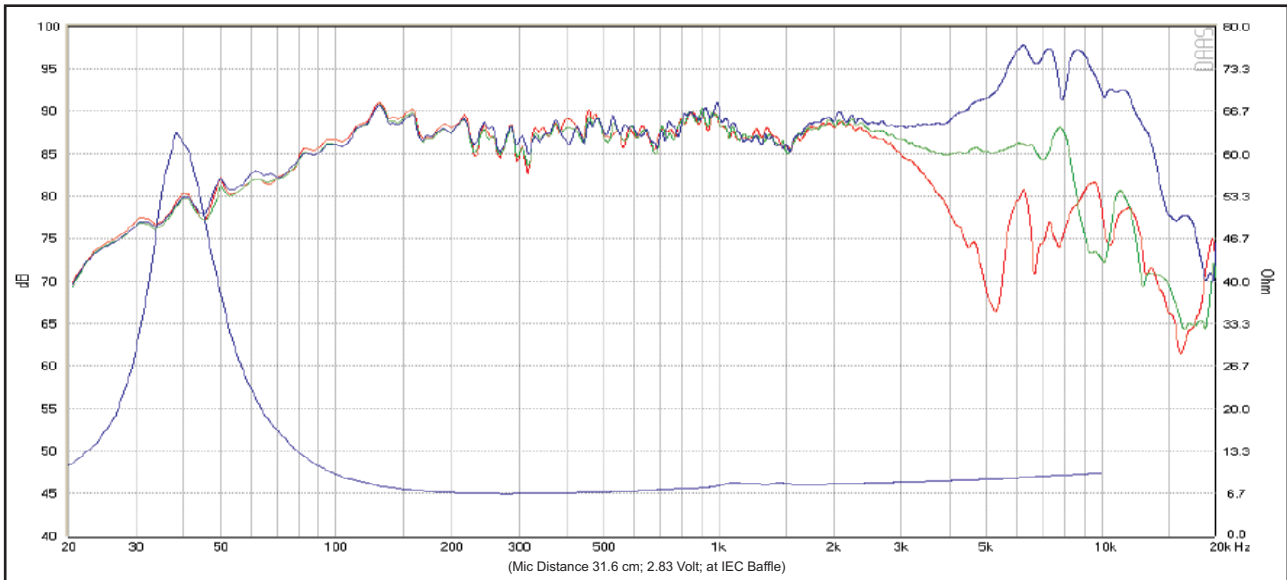
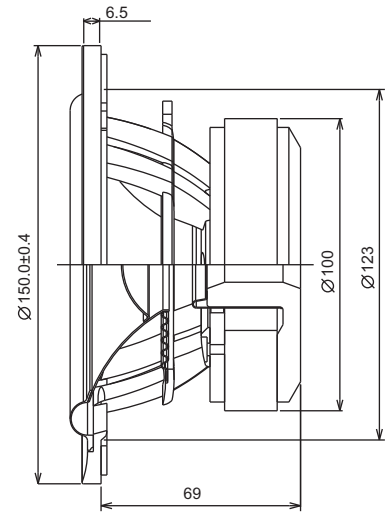
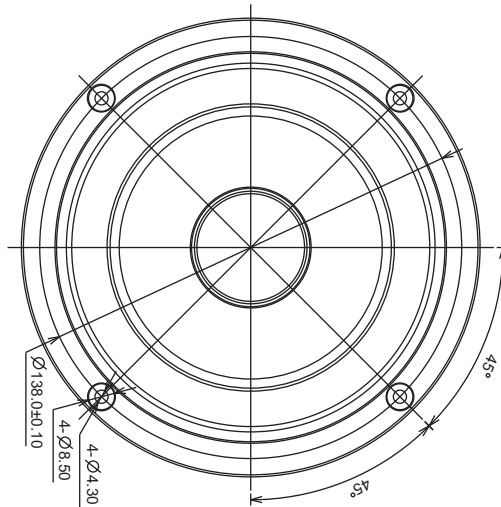


ACOUSTICS

5" SB15NRXC30-8



Response Curve :

— (Blue) : on axis — (Green) : 30 off-axis — (Red) : 60 off-axis

Specs :

| | | | |
|---------------------------|--------------------|--------------------------|-------------|
| Nominal Impedance | 8 Ω | Free air resonance, Fs | 38 Hz |
| DC resistance, Re | 5.7 Ω | Sensitivity (2.83 V/1m) | 88 dB |
| Voice coil inductance, Le | 0.14 mH | Mechanical Q-factor, Qms | 4.8 |
| Effective piston area, Sd | 82 cm ² | Electrical Q-factor, Qes | 0.35 |
| Voice coil diameter | 30.5 mm | Total Q-factor, Qts | 0.33 |
| Voice coil height | 15 mm | Moving mass incl.air, md | 8.1 g |
| Air gap height | 5 mm | Force factor, Bl | 5.6 Tm |
| Linear coil travel (p-p) | 10 mm | Equivalent volume, Vas | 20.7 liters |
| Magnetic flux density | 1.0 T | Compliance, Cms | 2.17 mm/N |
| Magnet weight | 0.54 kg | Mechanical loss, Rm | 0.4 kg/s |
| Net weight | 1.48 kg | Rated power handling | 50 watt |

The parameter are measured on drive units that are broken in