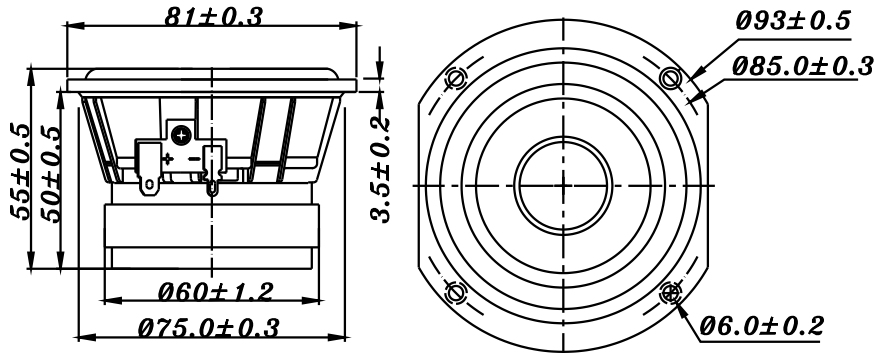


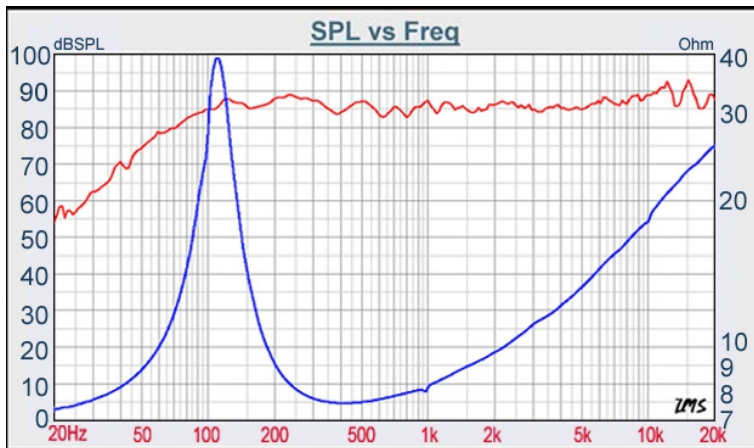
F SERIES

W3-532SQF



- FULL RANGE SPEAKER DESIGN
- DIE CAST BASKET
- PPM. CONE WITH SANTOPRENE SURROUND
- CCAW WITH KAPTON BOBBIN

3" FULL RANGE



DIAPHRAGM MTL	Natural color PPM
SURROUND MTL	Santoprene
NOMINAL IMPEDANCE	8 Ω
DCR IMPEDANCE	6.6 Ω
SENSITIVITY 1W/1m	86 dB
FREQUENCY RESPONSE	100 - 20K Hz
FREE AIR RESONANCE	100 Hz
VOICE COIL DIAMETER	20.4 mm
AIR GAP HEIGHT	6 mm
RATED POWER INPUT	12 W
MAXIMUM POWER INPUT	25 W
FORCE FACTOR, BL	3.23 TM
TYPE OF MAGNET	Ferrite
MOVING MASS	1.99 g
FERROFLUID ENHANCED	No
SUSPENSION COMPLIANCE	1057 μMN^{-1}
EFFECTIVE PISTON AREA	0.0032 M^2
Levc	0.075 mH
Zo	39 Ω
X-max	0.5 mm
Vas	1.54 Liter
Qts	0.72
Qms	4.37
Qes	0.87

TB SPEAKERS

VOICE: 886.2.26570282 FAX: 886.2.26580166
E-MAIL: info@tb-speaker.com