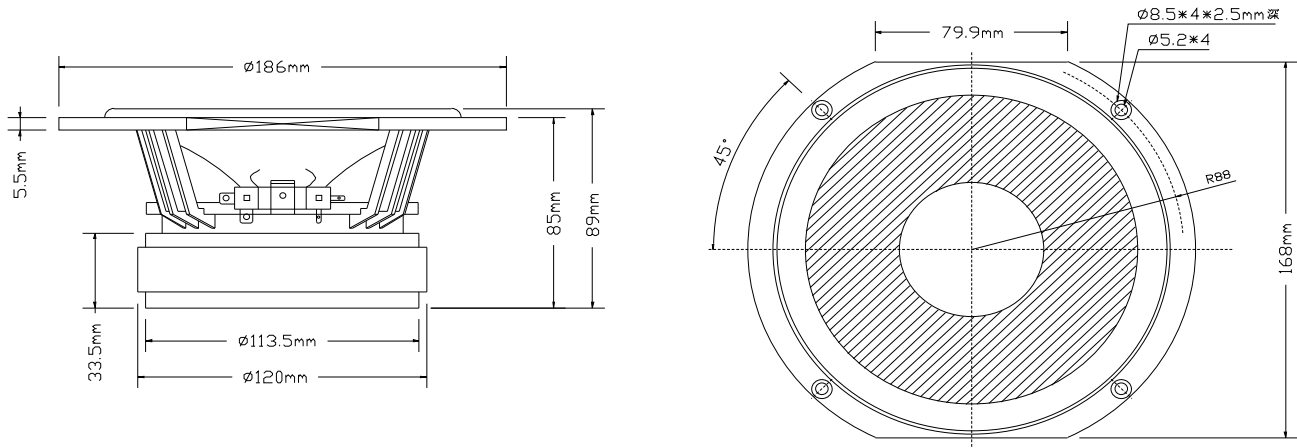
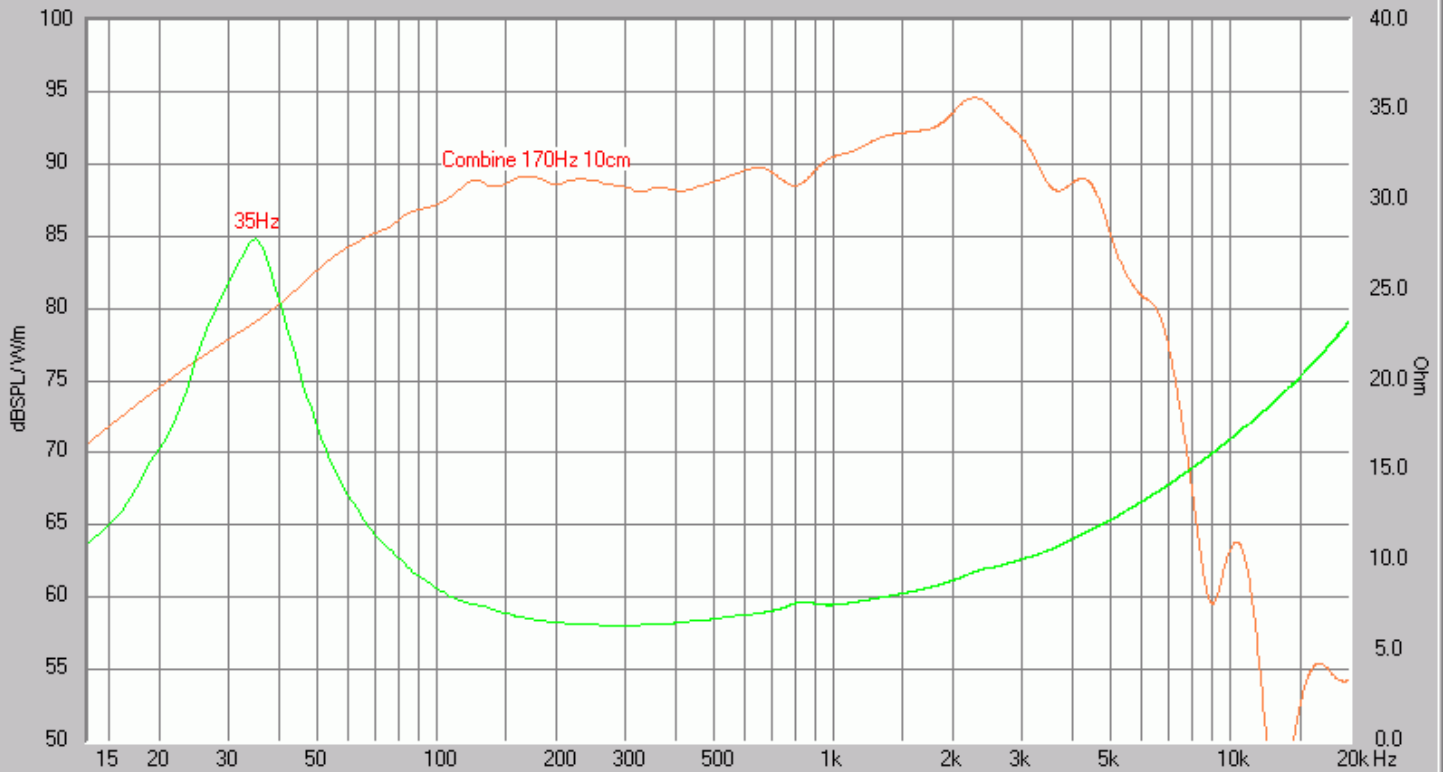


8836A



Specifications

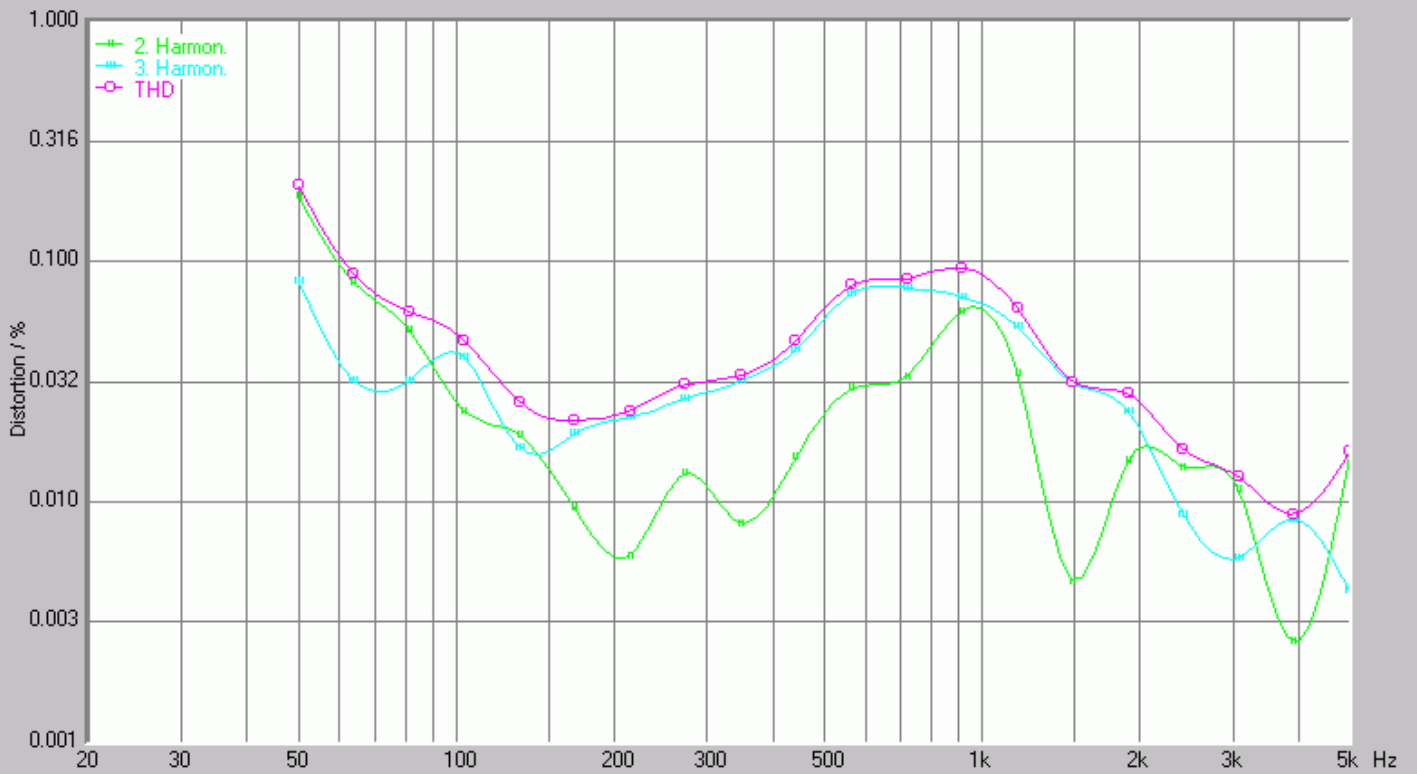
NOMIAL IMPEDANCE	8Ω ±15% at 1.0V 1KHz
VC NOMINAL DIA	φ 38.04mm
LOWEST RESONANCE FREQUENCY	FO=28Hz ±3Hz at 1.0V
EFFECTIVE FREQUENCY RANGE	FO ~ 5KHz-10dB 1M/1W
OUTPUT SOUND PRESSURE LEVEL	88dB/W/M ±3dB 200,300,400,500Hz AVE
INPUT	RATED INPUT 70W , MAXIMUM INPUT 100W
FLUX DENSITY	11.95K ±10% GUASS
BUZZ & RATTLE TEST	7.0V
POLARITY	POSITIVE - (LEFT) HAND TERMINAL
BAFFLE OPENING	140mm
MAGNET DIMENION / WEIGHT	120*45*20(mm)/925g
WEIGHT	2340g
DROPPING TEST	1150mm 75° ±2°
LINEAR EXCURSION (Xmax)	5mm
EQUIVALENT AIR VOLUME (Vas)	50.1 lt
MECHANICAL Q (Qms)	1.215
ELECTRICAL Q (Qes)	0.327
TOTAL Q (Qts)	0.258



Distance Speaker - Mic.: 50.0cm, dB SPL normalised on 1 Meter, Delay: 1.5ms

Test Signal: SWEEP

In1: 0.0V In2: .1Pa Out: 20 dB kHz 48 DUT: 8836A W0302S1~S2 SN: 0000 003/1/17 11:25:20 AM



FFT-len: 8192 Pt, Averages: 2

Test freq.: 20, 50-5000 Hz

In1: 0.0V In2: .1Pa Out: 22 dB kHz 6 DUT: 8836A W0302S1~S2 SN: 0000 003/1/17 11:27:33 AM