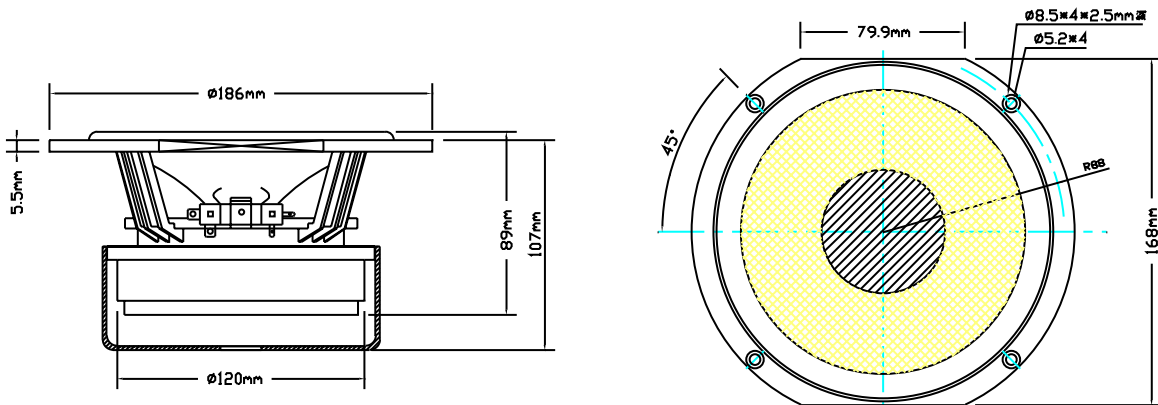
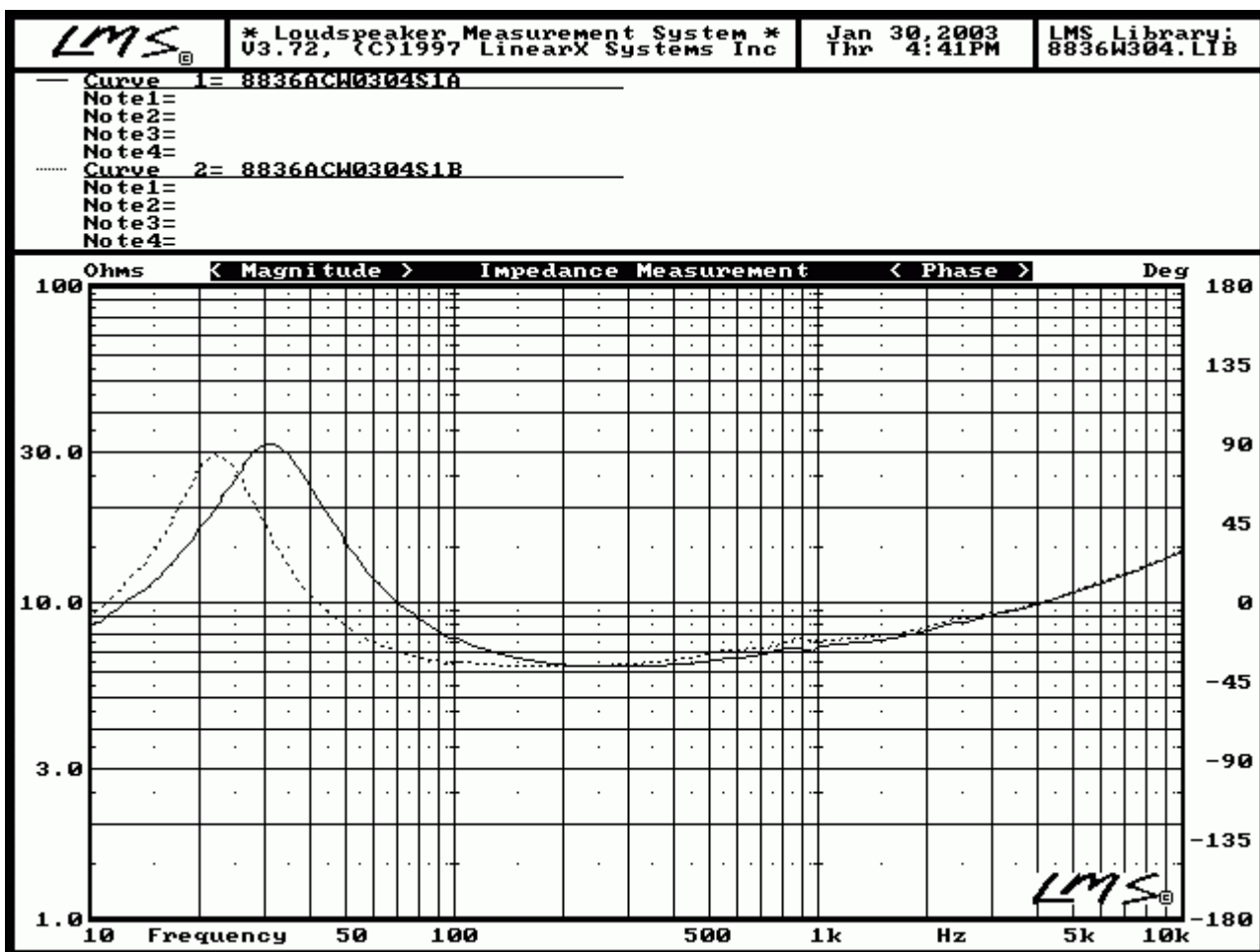


8836AC



Specifications

NOMIAL IMPEDANCE	8Ω ±15% at 1.0V 1KHz
VC NOMINAL DIA	φ 38mm
LOWEST RESONANCE FREQUENCY	FO=31Hz ±3Hz at 1.0V
EFFECTIVE FREQUENCY RANGE	FO ~ 5KHz-10dB 1M/1W
OUTPUT SOUND PRESSURE LEVEL	87dB/W/M ±3dB 300 , 400 , 500 , 600Hz AVE
INPUT	RATED INPUT 70W , MAXIMUM INPUT 100W
FLUX DENSITY	--- ±10% GUASS
BUZZ & RATTLE TEST	7.0V
POLARITY	POSITIVE - (LEFT) HAND TERMINAL
BAFFLE OPENING	140mm
MAGNET DIMENION / WEIGHT	120*45*20(mm)/925g
WEIGHT	3340g
DROPPING TEST	1150mm 75° ±2°
LINEAR EXCURSION (Xmax)	5 mm
EQUIVALENT AIR VOLUME (Vas)	46.3924 Litr
MECHANICAL Q (Qms)	1.879
ELECTRICAL Q (Qes)	0.396
TOTAL Q (Qts)	0.327



TSL Entry Num: 1 | SPLo= 87.32 dB | SPLi= 86.82 dB | SPLi= 88.45 dB |
 TSL File Name:8836W304 | = 0.34 % | = 0.30 % | @ Eg= 2.83 V |
 Name : 8836ACW0304S1 Rem= 1.49 , Lem= 0.317 mH @ 1KHz
 Model: Speaker- Woofer/ Midrange Rem= 8.87 , Lem= 0.094 mH @ 20KHz

Znom= 8.000	Sd= 0.0150 sqM	Fi= 30.132 Hz	Hvc= 16.0000 mM
Revc= 5.500	BL= 7.0111 TM	Fo= 30.996 Hz	Hag= 6.0000 mM
Krm= 8.222 m	Vas= 46.3924 Litr	Qms= 1.879	Xmx= 5.0000 mM
Kxm= 10.918 mH	Cms=1451.9990 uM/N	Qes= 0.396	Cmx= 5.0000 mM
Erm= 0.595	Mms= 18.1578 Gram	Qts= 0.327	Cmo= 1.0000
Exm= 0.595	Mmd= 17.1015 Gram	Pmx= 70.000 Wrms	Vc= 3.5714 C/W

