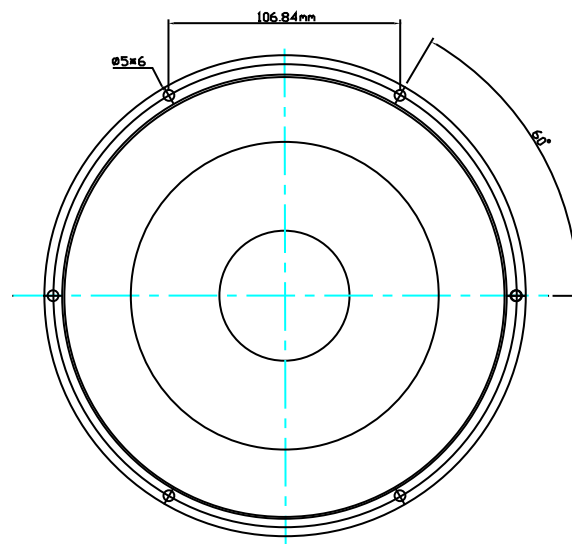
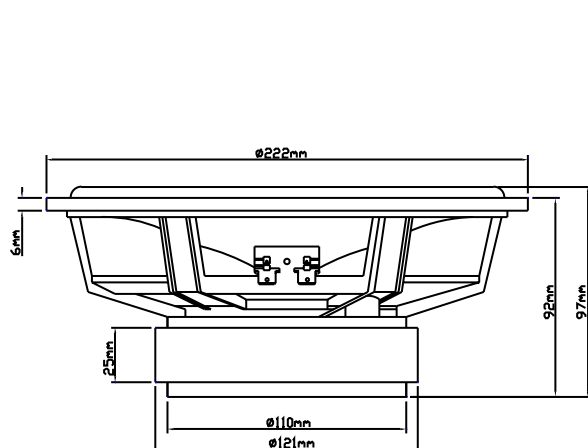
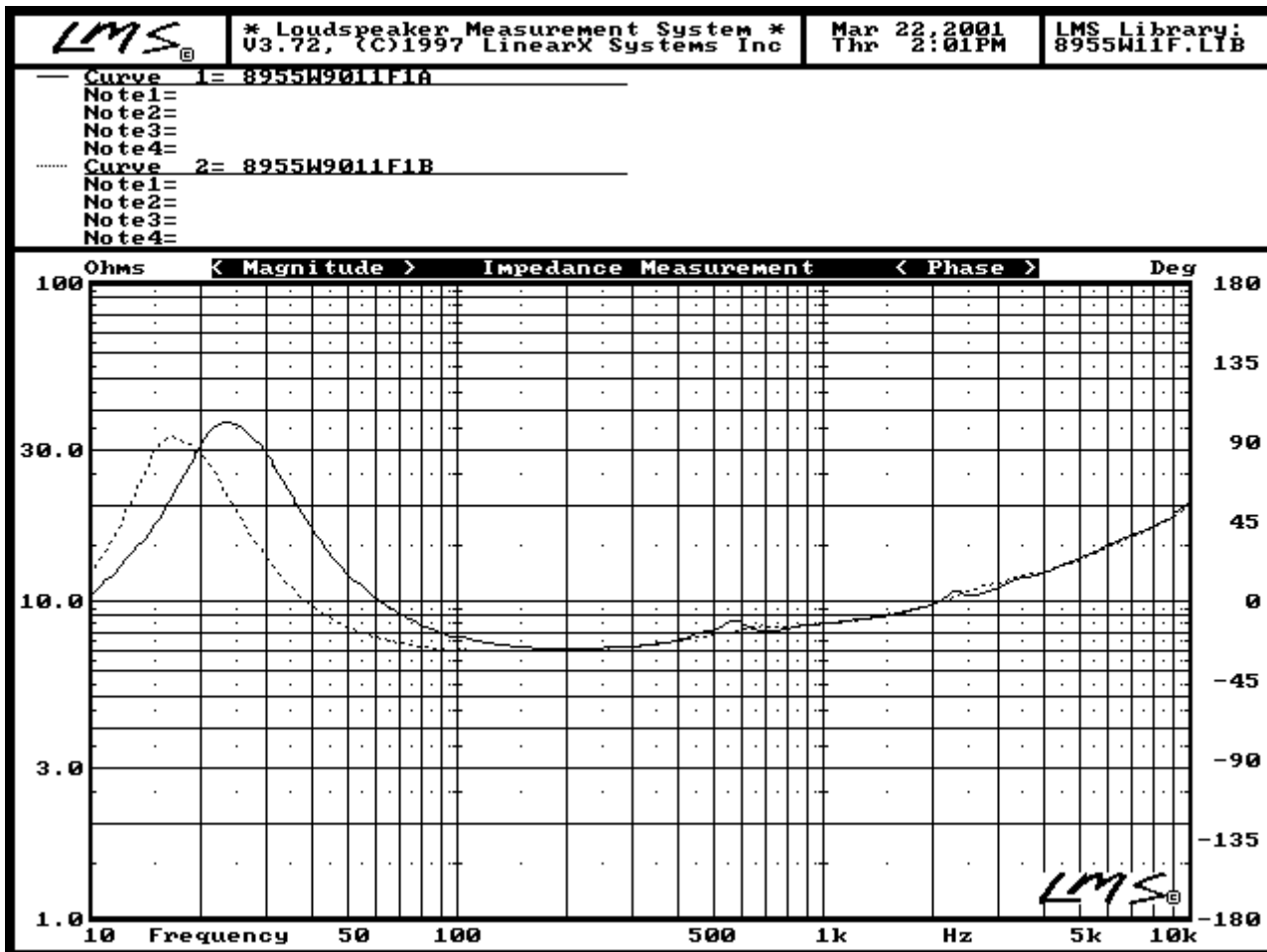


8955A



Specifications

NOMIAL IMPEDANCE	$8\Omega \pm 15\%$ at 1.0V 1KHz
VC NOMINAL DIA	$\phi 42\text{mm}$
LOWEST RESONANCE FREQUENCY	FO=25Hz $\pm 3\text{Hz}$ at 1.0V
EFFECTIVE FREQUENCY RANGE	FO ~ 7KHz - 10dB 1M/1W
OUTPUT SOUND PRESSURE LEVEL	87dB/W/M $\pm 3\text{dB}$ 200,300,400,500Hz AVE
INPUT	RATED INPUT 80W , MAXIMUM INPUT 90W
FLUX DENSITY	12K $\pm 10\%$ GUASS
BUZZ & RATTLE TEST	8.0V
POLARITY	POSITIVE - (LEFT) HAND TERMINAL
BAFFLE OPENING	175mm
MAGNET DIMENION / WEIGHT	145*75*22(mm)/1230g
WEIGHT	3100g
DROPPING TEST	1150mm 75° $\pm 2^\circ$
LINEAR EXCURSION (Xmax)	6mm
EQUIVALENT AIR VOLUME (Vas)	133.2568 Litr
MECHANICAL Q (Qms)	1.999
ELECTRICAL Q (Qes)	0.376
TOTAL Q (Qts)	0.317



TSL Entry Num: 1	SPLo= 88.90 dB	SPLi= 88.21 dB	SPLi= 89.68 dB
TSL File Name:8955W11F	= 0.49 %	= 0.42 %	@ Eg= 2.83 V
Name : 8955W9011F1	Rem= 2.38	, Lem= 0.492 mH @ 1KHz	
Model: Speaker- Woofer/ Midrange	Rem= 5.53	, Lem= 0.200 mH @ 20KHz	

Znom= 8.000	Sd= 0.0232 sqM	Fi= 23.278 Hz	Hvc= 18.0000 mM
Revc= 5.700	BL= 7.5588 TM	Fo= 24.213 Hz	Hag= 6.0000 mM
Krm=204.861 m	Vas= 133.2568 Litr	Qms= 1.999	Xmx= 6.0000 mM
Kxm= 6.807 mH	Cms=1743.4740 uM/N	Qes= 0.376	Cmx= 6.0000 mM
Erm= 0.281	Mms= 24.7812 Gram	Qts= 0.317	Cmo= 1.0000
Exm= 0.700	Mmd= 22.7493 Gram	Pmx= 100.000 Wrms	Vc= 2.5000 C/W

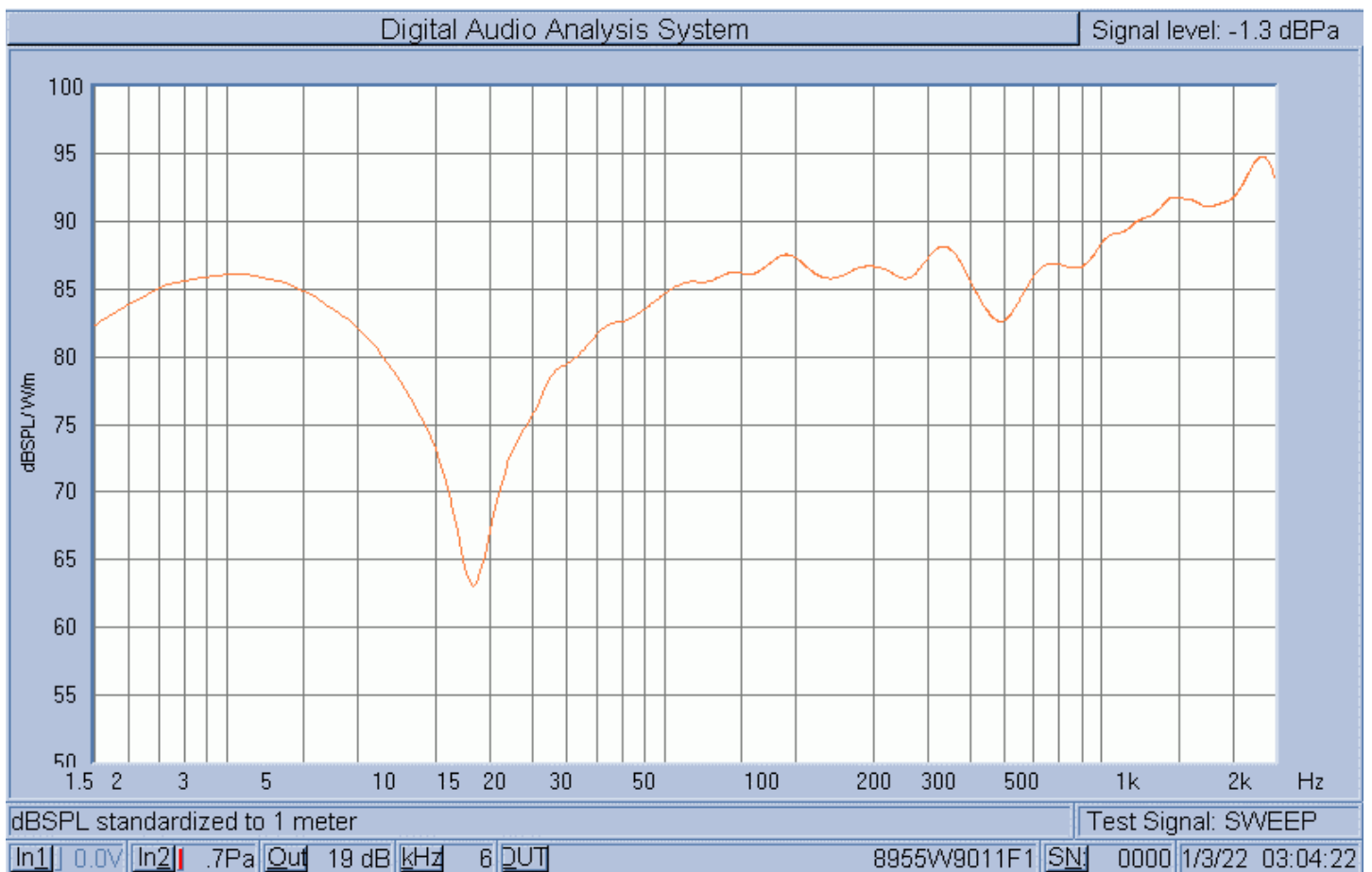
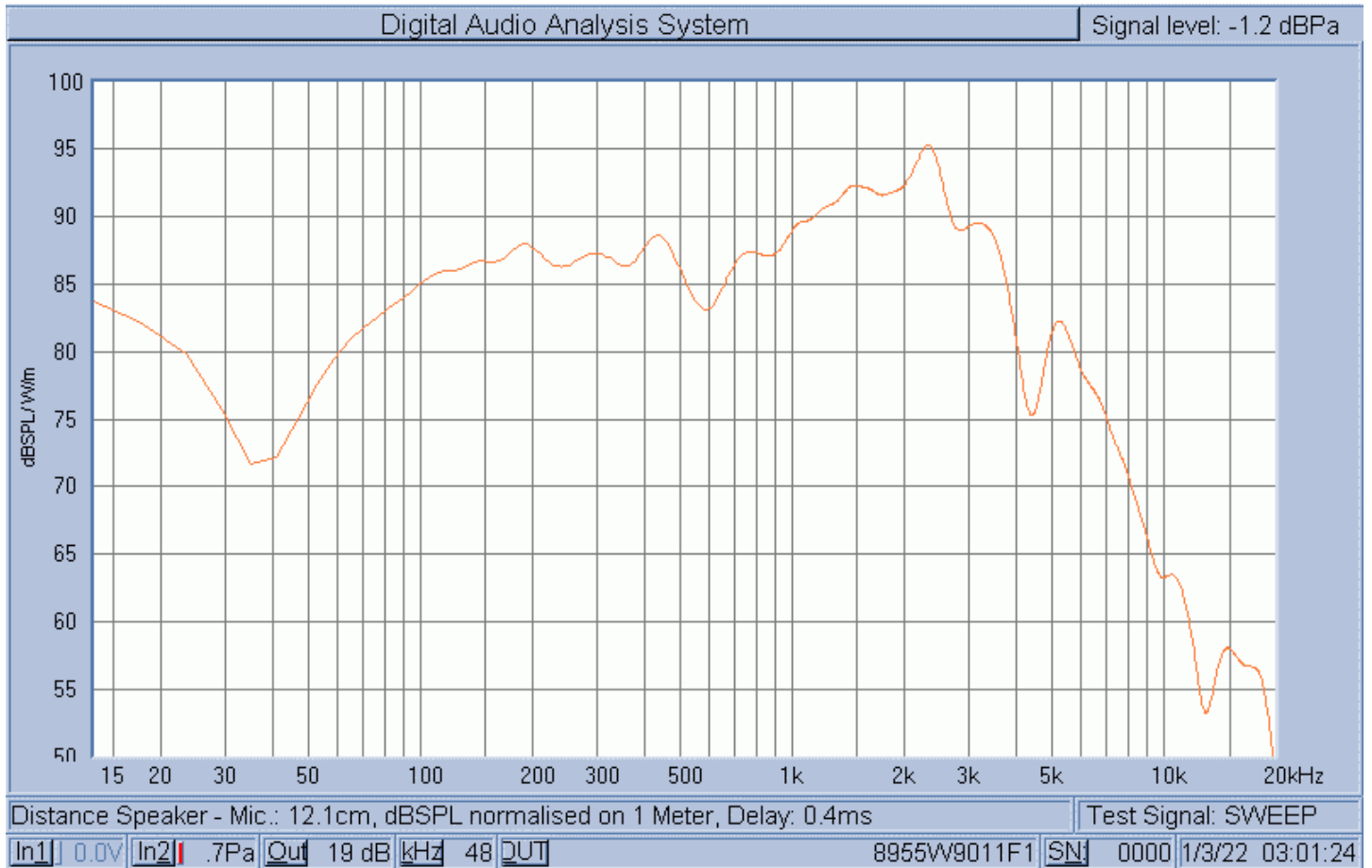
User1: 編號 8955W9011F1

User2: 附加重量 26 公克

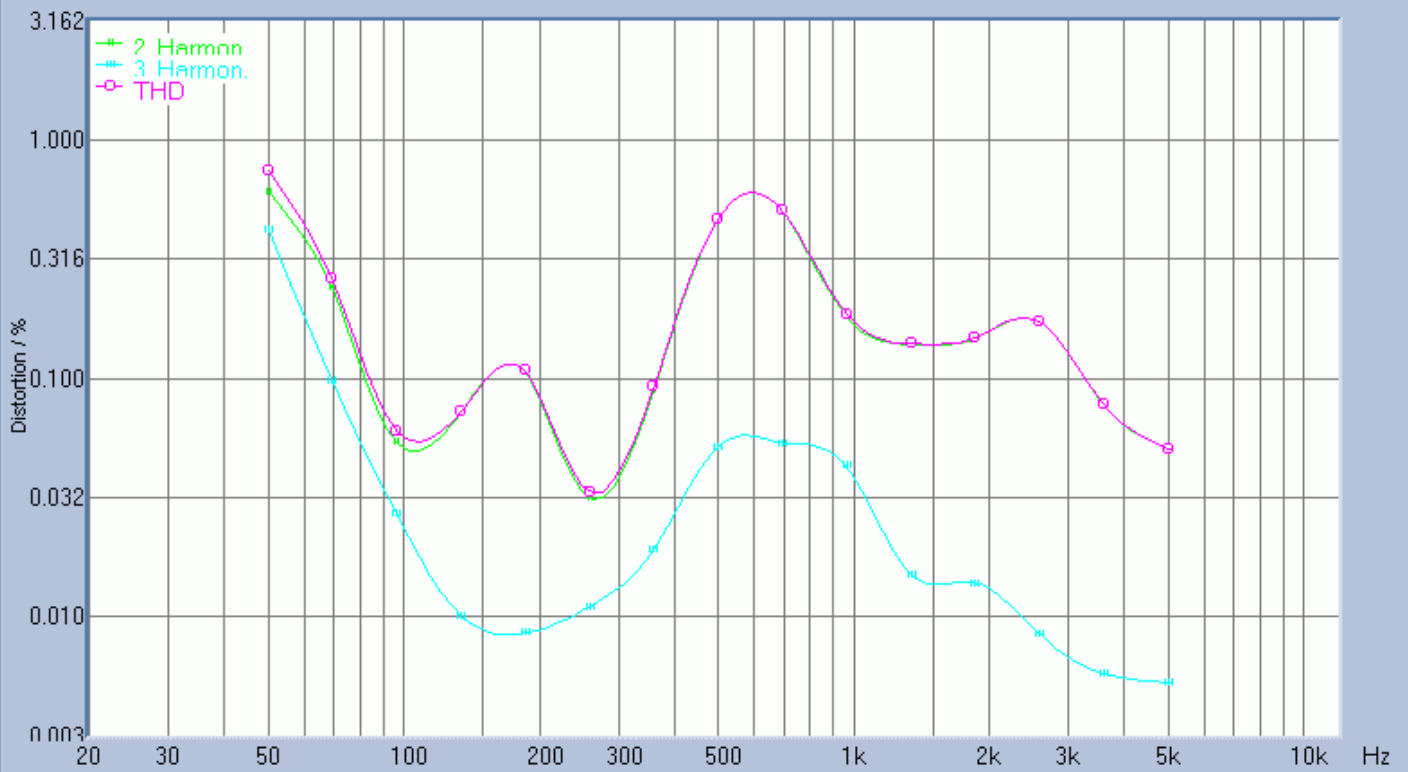
User3:

User4: V

F1 單體阻抗及頻率響應曲線



Digital Audio Analysis System



FFT-len: 16384 Pt, Averages: 1

Test freq.: 15, 50-5000 H:

In1 0.0V In2 .7Pa Out 16 dB kHz 48 DUT

8955W9011F1 SN 0000 1/3/22 03:02:39